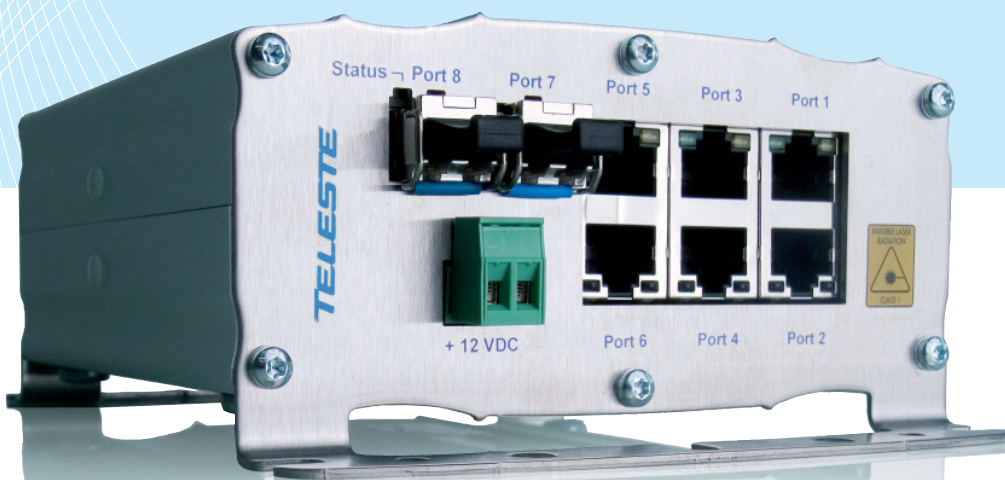


Eight port Gigabit Ethernet switch

For video networking applications

MPC is a common nominator for compact size stand-alone units in the EASI® MP-X platform. The MPC-SG is a robust, temperature hardened 8-port layer-2 managed Gigabit Ethernet switch.



The MPC-SG family switches are designed for Ethernet networks in mission-critical real-time control applications as well as for LAN extensions.

Installations are made easy with the MDI/MDIX and auto-polarity supported by the 10/100Base-TX local ports.

The up-link interfaces, either one or two, support both electrical and optical 1000Base ports, or combination of them. The optical interface is available

for multimode and singlemode fibres in variety of link budgets and optical wavelengths. In addition to standard 1310 nm and 1550 nm outputs, the MPC-SG can be equipped with ITU-T CWDM grid compliant output.

The MPC-SG supports fast network redundancy with link recovery, either based on FRNT 0 or RSTP/STP.

High multicast load is handled by the IGMP snooping feature.

Management of the MPC-SG switches is easy and is done via WebUI.

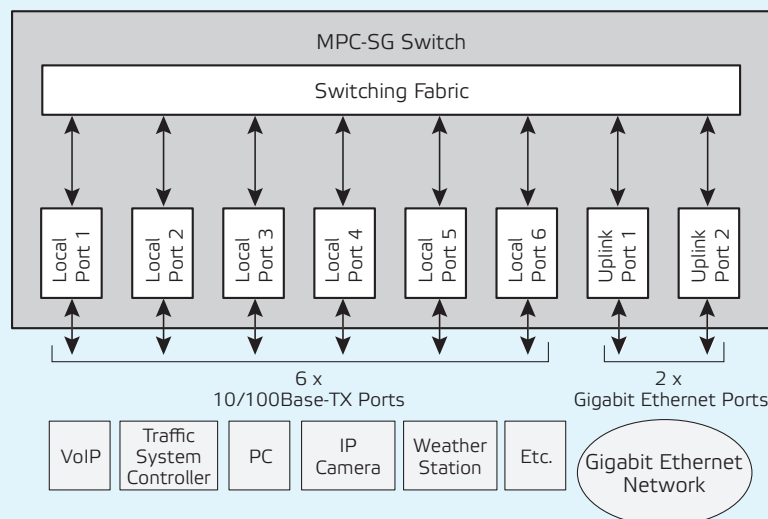
Excellent real time properties are offered through both layer 2 and layer 3 priority support with four priority queues (QoS).

The MPC-SG switches are temperature hardened for enhanced environmental performance.

FEATURES

- >> 6 x 10/100Base-TX local ports
- >> 2 x 1000Base-TX/FX full duplex up-link ports
- >> Small form pluggable optics (SFP), several link budget variations available
- >> FRNT v0 – redundant ring
- >> RSTP with STP fallback
- >> IGMP v1, v2 & v3 snooping
- >> VLAN support; port based VLAN with tag removal possibility
- >> SNMP v2c
- >> MAC address filtering per port
- >> QoS based on layer 2 (IEEE802.1p) and layer 3 (IP ToS)
- >> Low power consumption
- >> Password protected user access
- >> User friendly WebUI
- >> Feasible for temperature hardened operation

BLOCK DIAGRAM



TECHNICAL SPECIFICATIONS

| Up-link ports (SFP)* | | | Management | |
|-----------------------|----------------------------|--------------------------------|---|---|
| Number of ports | 1 or 2 | full duplex | WebUI | local via ethernet port & remote via network |
| Standard | 1000Base-TX 1000Base-FX | CAT5**/CAT5e/CAT6 MMF & SMF | SNMP | remote via network |
| <u>Electrical</u> | | | General | |
| 1000Base-TX | 100 m | CAT5 | Supply voltage | 10.5...14 V DC |
| Connector type | RJ-45 | CAT5 (UTP) | Power consumption | 6 W 6.7 W 7.4 W |
| <u>Optical</u> | | | | no fiber version one SFP transceiver two SFP transceivers |
| MMF 1310 nm | 550 m / 2 km | 2 fibres | PSU connector type | 2-pin removable screw terminal |
| SMF 1310 nm | 10 / 30 km | 2 fibres | Dimensions (H x W x D) | 60 ● 130 ● 130 mm (2.4 ● 5.1 ● 5.1") |
| SMF 1550 nm | 30 / 50 / 70 / 110 km | 2 fibres | Weight | 1.0 kg (2.2 lb) |
| BIDI SMF 1310/1550 nm | 20 / 40 / 60 km | 1 fibre | Housing | Stand-alone, DIN-rail mount ** |
| BIDI SMF 1550/1310 nm | 20 / 40 / 60 km | 1 fibre | MTBF | > 150.000 h HRD5 |
| BIDI SMF 1310/1490 nm | 20 km | 1 fibre | Operating temperature | -34...+74 °C (-29...+165 °F) temperature hardened |
| BIDI SMF 1490/1310 nm | 20 km | 1 fibre | Storage temperature | -40...+80 °C (-40...+176 °F) |
| CWDM (ITU G.694.2) | 100 km | 2 fibres | Humidity | 95 % non condensing |
| Connector type | LC | MMF & SMF | Vibration | EN50130-5 1995 |
| Local ports | | | Damp heat | BS2011 p2.1 |
| Number of ports | 6 | full duplex | EMC compatibility | EN61000-6-4, CE, FCC |
| Standard | 10/100Base-TX | CAT5/CAT5e | Susceptibility | EN50130-4 |
| Connector type | RJ-45 | CAT5 (UTP) | Safety | EN60950 |
| Protocols | | | Notes | |
| 802.3 | 10Base-T | | * optional | |
| 802.3u | 100Base-TX, -FX | | ** Note! If your existing CAT5 cable was installed before 1995, make sure that it has been fully tested for use with 1000Base-TX. | |
| 802.3ab | 1000Base-T | | <i>Typical values unless otherwise stated</i> | |
| 802.3z | 1000Base-SX, -LX | | | |
| 802.1q | VLAN | | | |
| 802.1d | STP | | | |
| 802.1w | RSTP | | | |
| 802.1p | QoS | layer 2 | | |
| 802.3p | QoS | layer 3 (IP ToS) | | |
| 802.3x | flow control | | | |
| IGMP | version 1, 2 & 3 | | | |
| FRNT v0 | redundant ring | proprietary protocol | | |
| SNMP | version 2c | | | |
| DHCP | | IP address acquisition | | |
| FLHP | | proprietary protocol | | |

MPC-SG v1 23052008

TELESTE